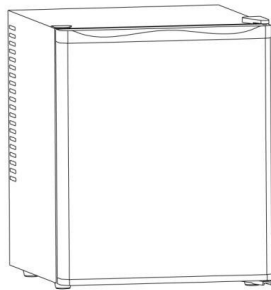
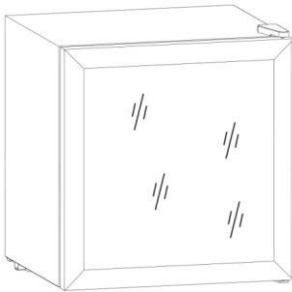


bar@drinkstuff

OPERATION MANUAL

Glass Door - DS31836 (CW-35)

Solid Door - DS28919 (BC-35)

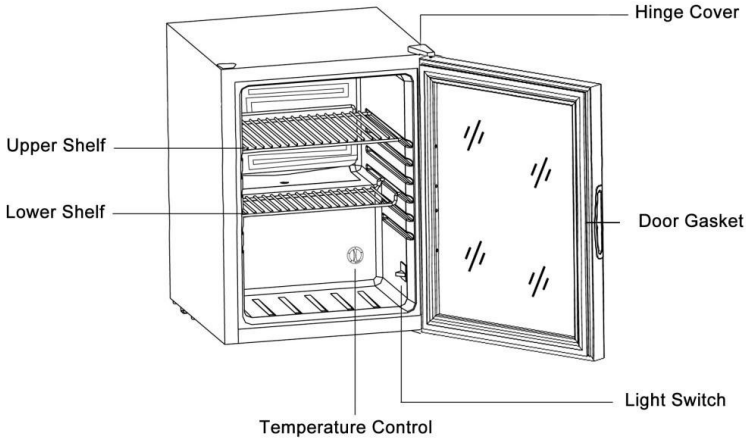


Contents

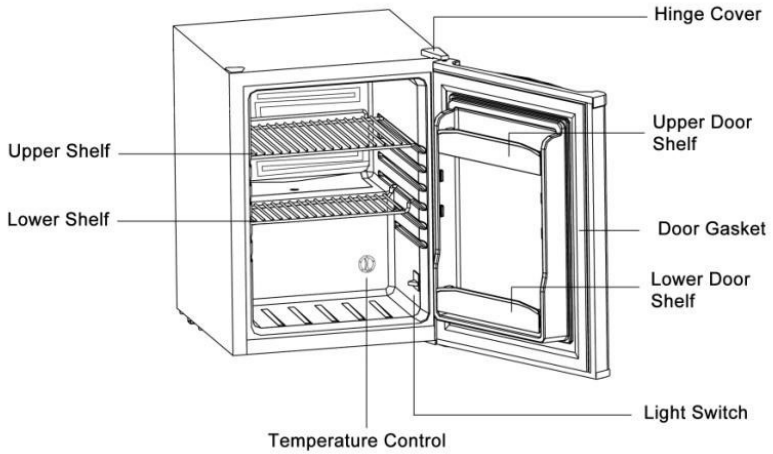
- 3 - Indication of Parts
- 4 - Technical Specifications
- 5 - Installation Instructions
- 6 - Temperature Control
- 7 - Important Information
and Health & Safety Warnings
- 9 - Troubleshooting Guide 10
- Wiring Diagram

INDICATION OF PARTS

DS31836



DS28919



TECHNICAL SPECIFICATIONS

Model No.	DS31836	DS28919
Volume (Litres)	35	
Temperature Range (°C)	2 to 10	0 to 10
Voltage (V)	220-240	
Frequency (Hz)	50/60	
Rated Power (W)	65	60
Lamp Power (W)	1	
Noise (dB)	42	35
Energy Consumption (kWh/24h)	0.43	0.3
Energy Rating	B	A+
Climate Class	N, SN, ST, T	
Refrigerant	R600a/17g	
Insulation	Cyclopentane	
Unit Dimensions (mm)	535x405x433	
Packing Dimensions (mm)	460x490x585	
Net Weight (kg)	14.5	
Gross Weight (kg)	16.5	
Approval	CE, CCC, CB, EMC, LVD	

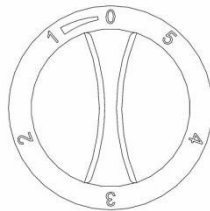
INSTALLATION INSTRUCTIONS

- This refrigerator is designed for free-standing installation only, and should not be recessed or built-in ○ There should be left at least 200 cm³ for

ventilation ○ Allow 13cm of space between the back and sides of the refrigerator, which allows the proper air circulation to cool the heat sink. Failure to do so could result in fire.

- The bottom should allow at least 50mm for air flow, this surface must not be heated
- The entire cooling system should be considered in the ventilation
- Place your refrigerator on a surface that is strong enough to support it when it is fully loaded
- Locate the refrigerator away from direct sunlight and sources of heat (radiator, heater, stove, etc.). Direct sunlight may affect the acrylic coating and heat sources may increase electrical consumption
- Extreme cold ambient temperatures may also cause the unit not to perform properly
- Avoid locating the unit in moist areas
- Plug the refrigerator into an exclusive, properly installed-grounded wall outlet. Do not under any circumstances cut or remove the third (ground) prong from the power cord. Any questions concerning power and/or grounding should be directed toward a certified electrician.
- After plugging the refrigerator in to a wall outlet, allow the unit to cool down for 2-3 hours before placing

TEMPERATURE CONTROL



- The temperature control is located at the lower right hand side of the refrigerator interior
- The range of the temperature control is from position “0” to “5”, with “5” being the coldest setting
- The first time you turn the unit on, set the temperature control to 5
- After 48 hours, adjust the temperature control to the setting that best suits your needs - the setting of 3 or 4 should be appropriate for home or office use
- To stop the cooling cycle turn the temperature control to 0 (this does not turn the unit off)

- If the unit is unplugged, has lost power, or is turned off, you must wait 3 to 5 minutes before restarting the unit, if you attempt to restart before this time delay the unit will not start

IMPORTANT INFORMATION AND HEALTH & SAFETY WARNINGS

- Position your refrigerator so that the plug is accessible
- Keep your refrigerator out of direct sunlight
- Do not place next to heat generating appliance
- Do not place directly on the ground, provide a suitable surface
- Use two or more people to move and install the unit, failure to do so could result in injury
- To ensure proper ventilation for your appliance, the front and the back of the unit must be completely unobstructed
- Choose a well-ventilated area with temperatures above 16°C and below 32°C
- This unit must be installed in an area protected from the element, such as wind, rain, water spray or drips, failure to do so can result in fire
- The appliance should not be located next to ovens, grills or other sources of high heat
- Do not kink or pinch the power supply cord of the appliance
- The fuse (or circuit breaker) size should be 2.5 amperes
- The refrigerator will have better performance at ambient of 20-25°C, we suggest the refrigerator be powered off if the ambient temperature is lower than 10 degree
- After plugging the appliance, allow the unit to cool down for 2-3 hours before placing beverage into the refrigerator compartment
- The appliance features an automatic defrosting system, so there is no need to defrost it manually

- Do not store explosive substances inside the appliance, such as aerosol cans with a flammable propellant
- This appliance is not intended for use by persons (including children) with reduced physical, sensory or mental capabilities, or lack of experience and knowledge, unless they have been given supervision or instruction concerning use of the appliance by a person responsible for their safety
- Children should be supervised to ensure that they do not play with the appliance

(continued overleaf)

IMPORTANT INFORMATION AND HEALTH & SAFETY WARNINGS (cont.)

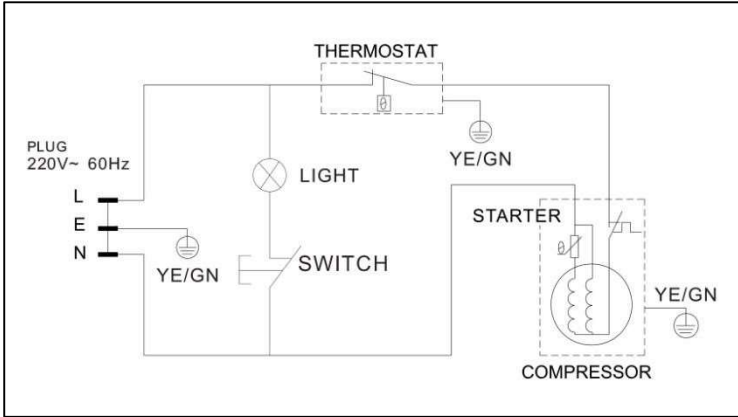
- The refrigerator must be connected to a properly earthed socket in line with relevant valid country regulations before operating
- Check the data label (which is on the side of the refrigerator) for voltage and frequency corresponds to your local one, If not, don't plug your cable into the socket
- The appliance must be installed with all electrical, water and drain connections in accordance with state and local codes, A standard electrical supply (220 V AC only 60 Hz), properly grounded in accordance with the National Electrical Code and local codes and ordinances is required
- If the supply cord is damaged, it must be replaced by the manufacturer, its service agent or similarly qualified persons in order to avoid a hazard
- The lamp should be changed by professionals
- To prevent possible harm to the environment or human health from uncontrolled waste disposal, recycle this unit responsibly to promote the sustainable reuse of material resources
- Disposal should only be done through public collection points

TROUBLESHOOTING GUIDE

PROBLEM	POSSIBLE CAUSE
Refrigerator does not operate (properly)	<ul style="list-style-type: none"><input type="checkbox"/> Not plugged in<input type="checkbox"/> The circuit breaker tripped or a blown fuse<input type="checkbox"/> The unit temperature control is set at 0 position<input type="checkbox"/> The room temperature is hotter than normal<input type="checkbox"/> A large amount of food has been added to the unit<input type="checkbox"/> The door has been opened too often<input type="checkbox"/> The door is not closed completely<input type="checkbox"/> The temperature control is not set correctly<input type="checkbox"/> The door gasket does not seal properly <input type="checkbox"/> The refrigerator does not have the correct ventilation<input type="checkbox"/> Abnormal voltage

The light does not work	<ul style="list-style-type: none"> <input type="checkbox"/> Not plugged in <input type="checkbox"/> The circuit breaker tripped or a blown fuse <input type="checkbox"/> The LED light has burned out
The door will not close properly	<ul style="list-style-type: none"> <input type="checkbox"/> The refrigerator is not level <input type="checkbox"/> The door was reversed and not properly installed <input type="checkbox"/> The gasket is dirty <input type="checkbox"/> The shelves, bins, or baskets are out of position
Vibrations	<ul style="list-style-type: none"> <input type="checkbox"/> Check to assure that the refrigerator is level
The unit seems to make too much noise	<ul style="list-style-type: none"> <input type="checkbox"/> The rattling may come from the flow of the refrigerant, which is normal <input type="checkbox"/> As each cycle ends, you may hear gurgling sounds caused by the flow of refrigerant in your unit <input type="checkbox"/> Contraction and expansion of the inside walls may cause popping and crackling noises <input type="checkbox"/> The unit is not level

WIRING DIAGRAM



bar@drinkstuff